

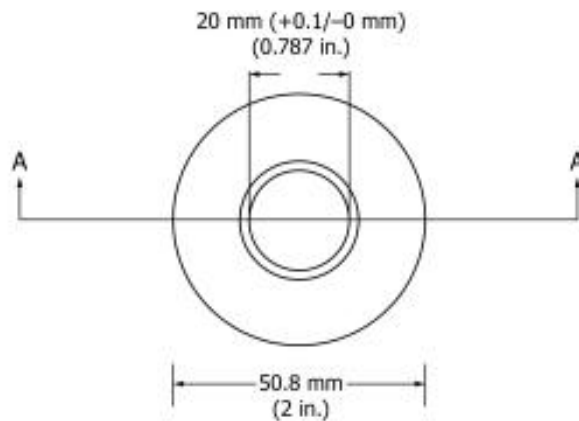
Address: No. 1 Tech 9 Road, High - New Tech Development Zone, Songshan Lake, Dongguan City 523808, China

Tel: 86-769-23010657

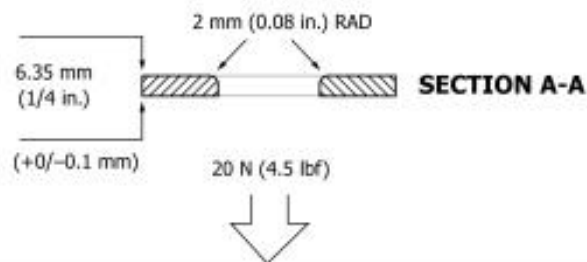
Fax: 86-769-23010667

Email: Addams@tonyhk.hk

Expanding Toy Test Template TW-320 - Manufactuer - Hust Tony



MATERIAL: 2 in. (50.8 mm) DIAMETER POLYTETRAFLUOROETHYLENE (PTFE) ROD STOCK



Pressure gauges containing or consisting of an expansion material shall pass the pressure gauge specified by the expansion module completely when the test is prescribed.

Material: plastic

Complies with ASTM F-17 4.40

Technical Specifications

Model	TW-320
Inner Diameter	20mm(+0.1/-0mm)
External Diameter	50.8
Radius	2 mm
Thickness	6.35mm(+0/-0.1 mm)
Material	POLYTETRAFLUOROETHYLENE (PTFE) ROD STOCK

Standards:ASTM F-17 4.40